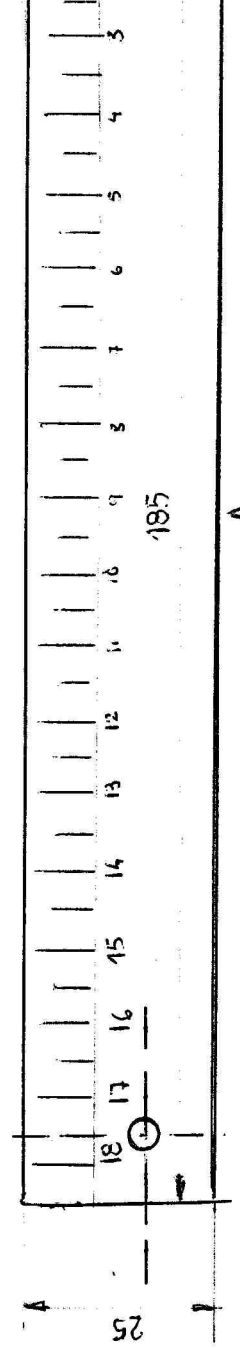
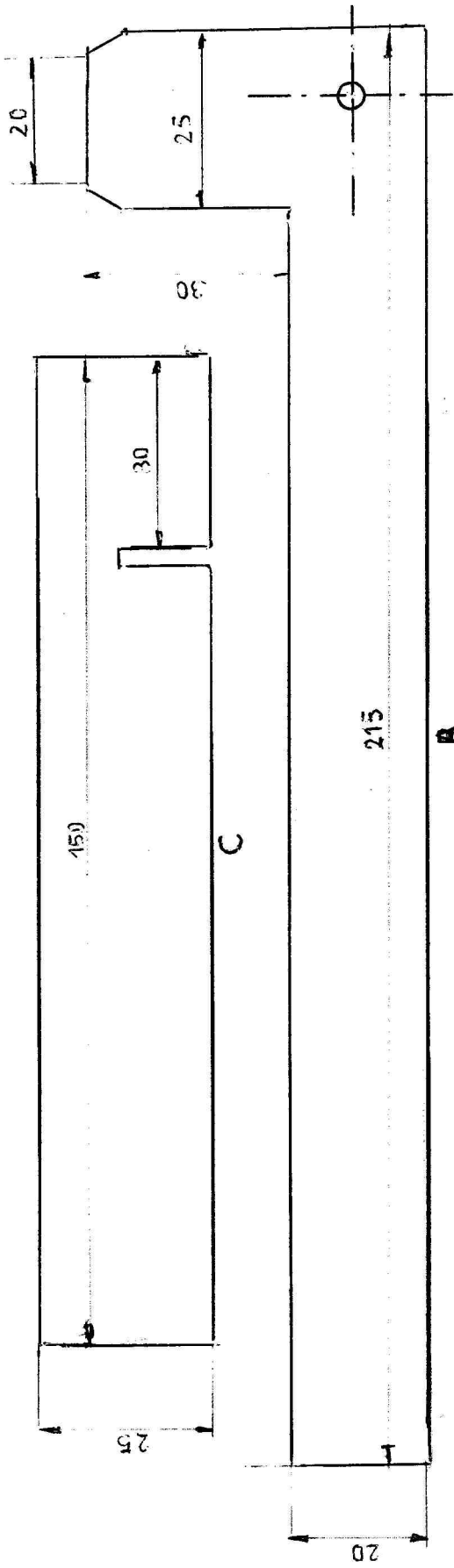
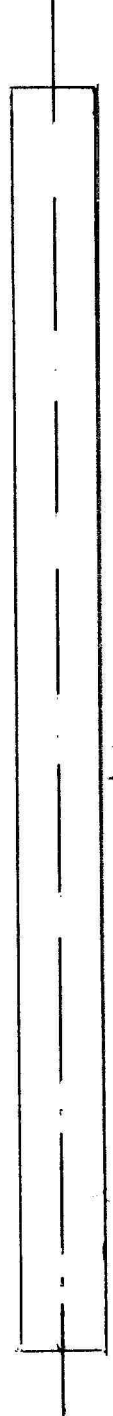
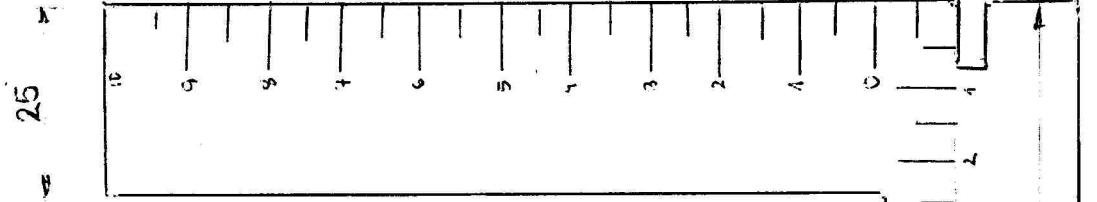
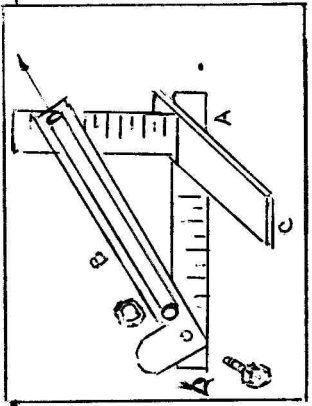
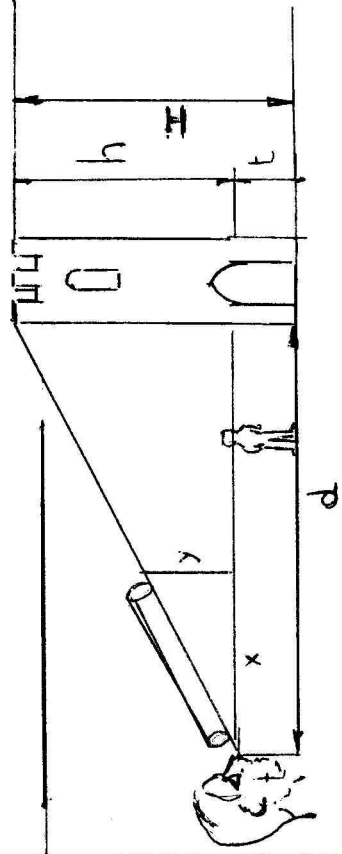


$$h = \frac{d \cdot y}{x}$$

$$\frac{d}{x} = \frac{h}{y}$$

$$H = h + E$$



A